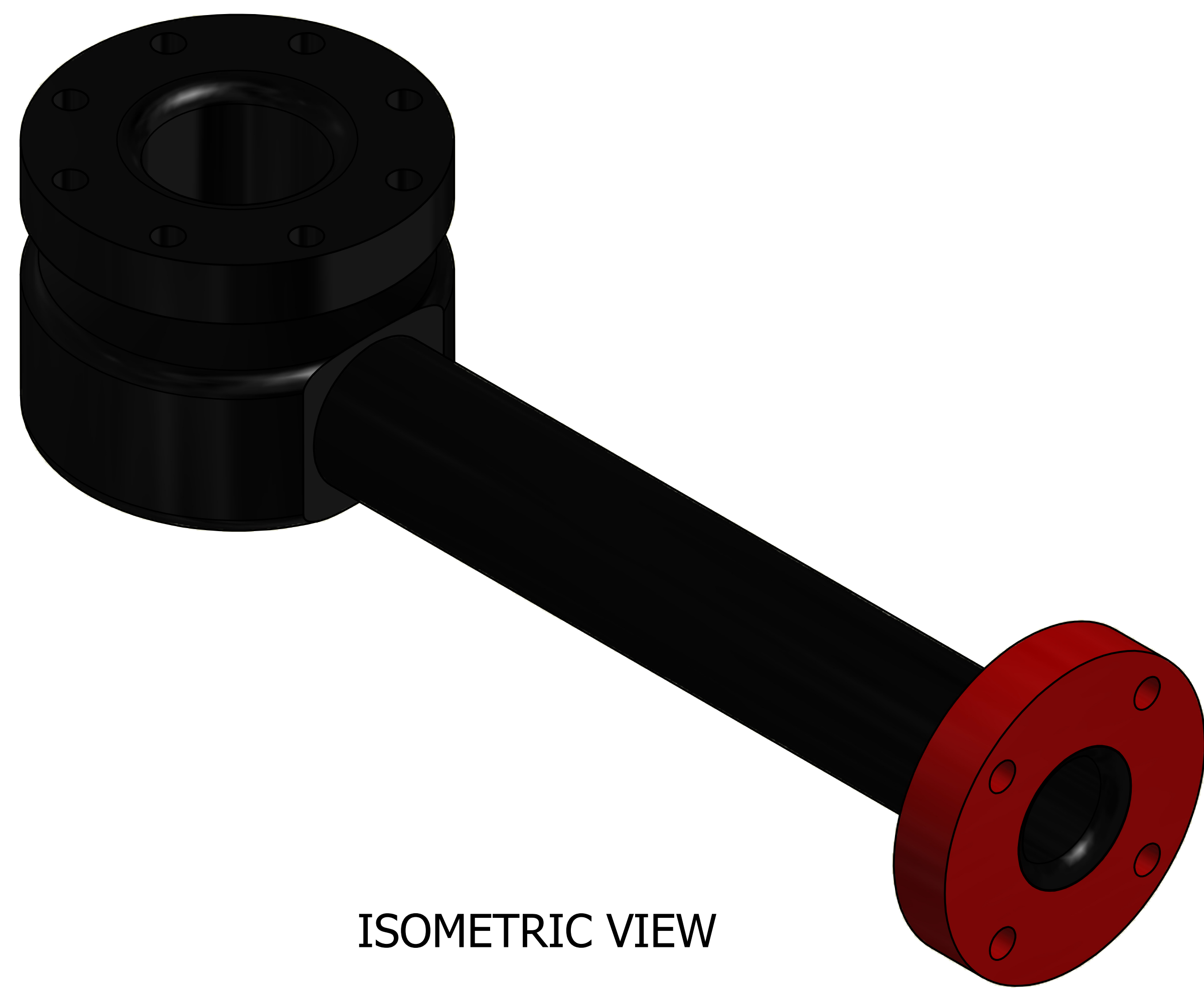
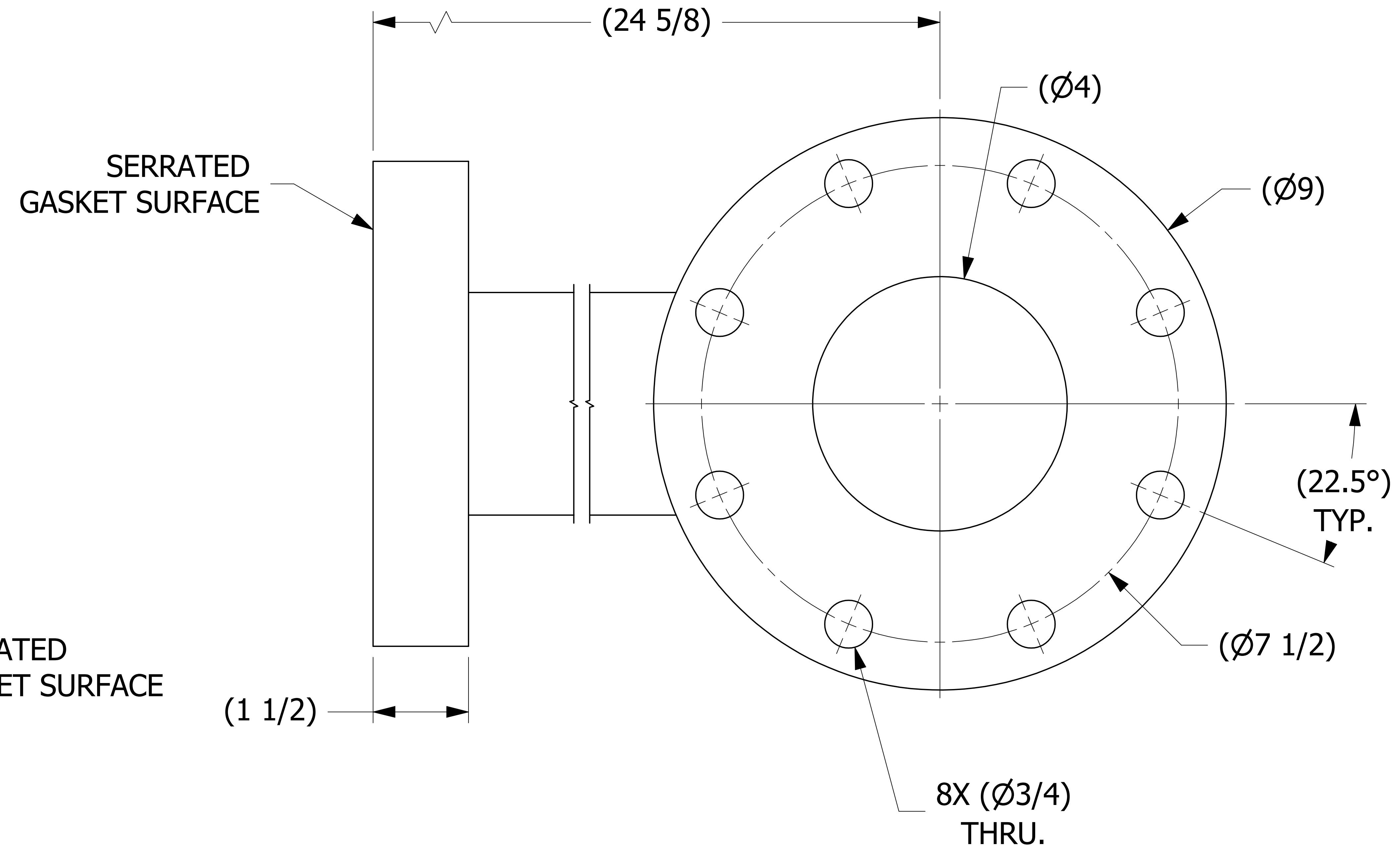
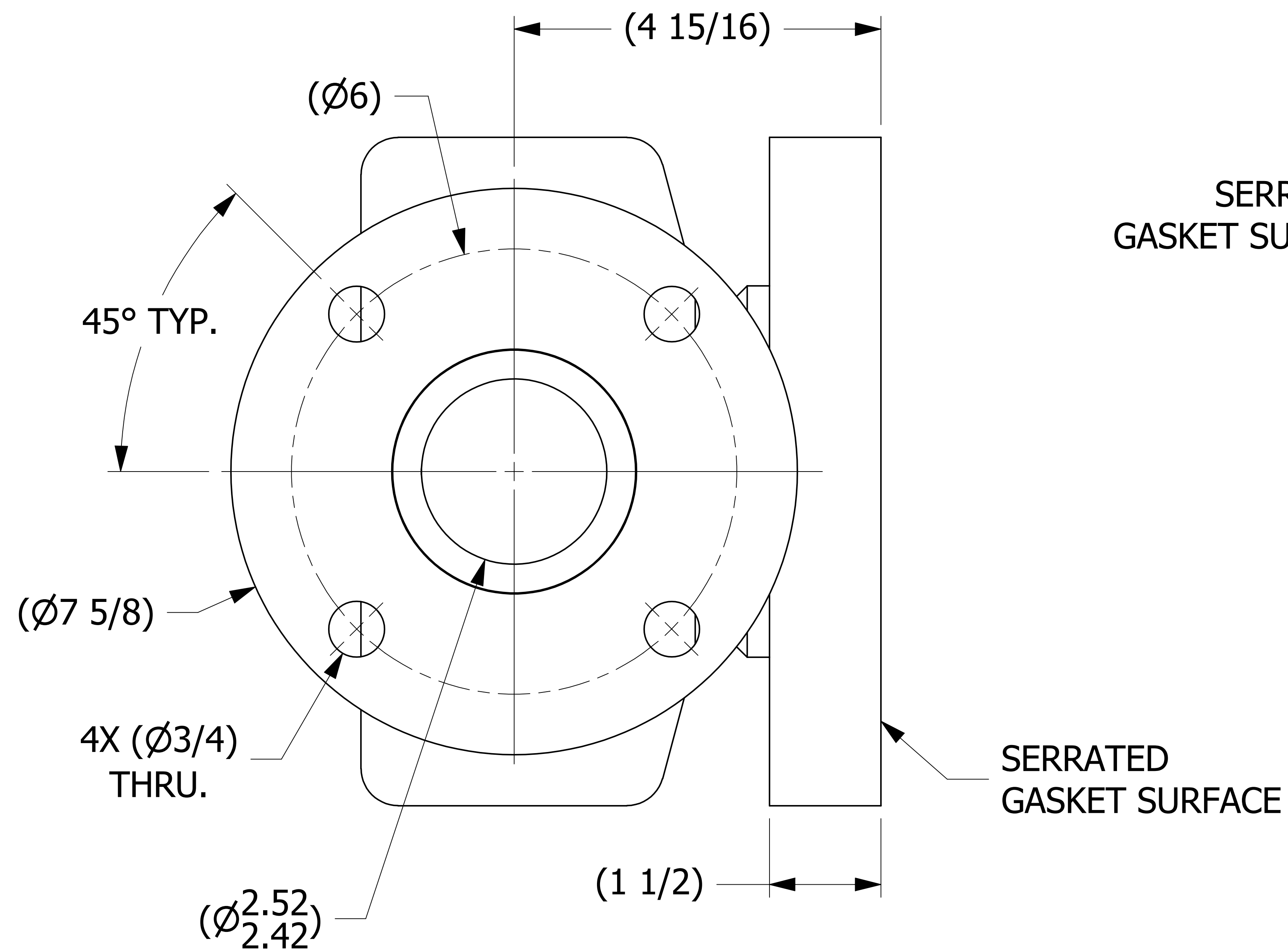


SALES DRAWING SALES DRAWING SALES DRAWING SALES DRAWING SALES DRAWING

SALES DRAWING SALES DRAWING SALES DRAWING SALES DRAWING SALES DRAWING



ISOMETRIC VIEW

A	TAK	6-22-17	RELEASED FOR PRODUCTION
REV	BY	DATE	DESCRIPTION

UNLESS OTHERWISE SPECIFIED
 DIMENSIONAL TOLERANCES
 FRACTIONAL: $\pm 1/16$
 X.XX: $\pm .03$
 X.XXX: $\pm .015$
 ANGULAR: $\pm 1^\circ$
 DEBURR ALL SHARP EDGES.
 ALL MACHINED SURFACES TO
 HAVE A 125 RMS FINISH UNLESS
 NOTED OTHERWISE.

DRAWN BY:	TAK
CHECKED BY:	EJF
PROTOTYPE BY:	TAK
PROTOTYPE DATE:	6/14/2017
APPROVED FOR PRODUCTION BY:	TAK
PRODUCTION DATE:	6/22/2017

SALCO PRODUCTS, INC.			
PART NAME: PIPE ELBOW 4"X3"X90°			
MATERIAL: SALCO PE			
PROJECT #:	H170606F	SHEET #:	1 OF 1
DRAWING #:	E45639	PART #:	HS4X3X90PE14
		SCALE:	1:1

THIS PRINT, PROPERTY OF SALCO PRODUCTS INC. CONTAINS PROPRIETARY INFORMATION AND MUST NOT BE COPIED, REPRODUCED, OR USED DETRIMENTALLY TO OUR INTEREST.

